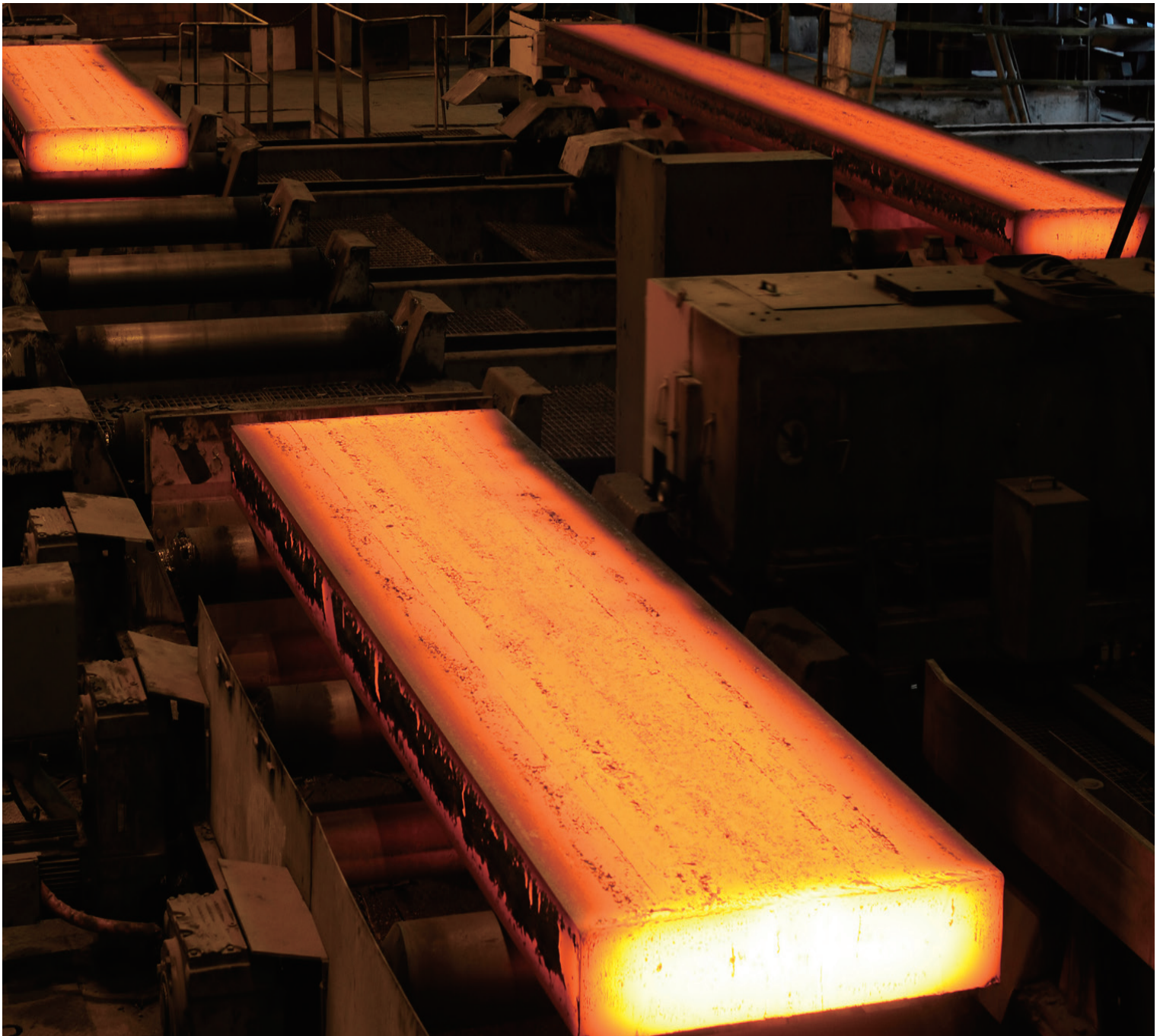


Optimized Long-Life Cylindrical Roller Bearings for Continuous Casting Machines



Bearings for Continuous Casting Machines

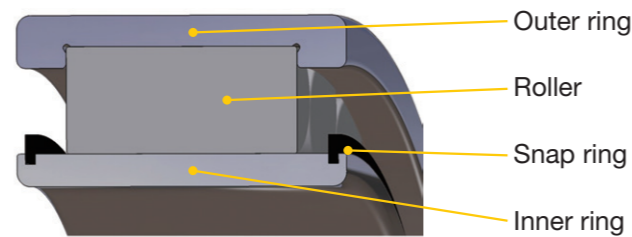
Bearings for Guide Rolls

Bearings used in the guide rolls of continuous casting machines are exposed to harsh conditions such as heavy load at ultra-low-speed in a hot and wet environment. High-performance bearings with longer life and higher reliability are desirable under such circumstances.



NSK has successfully developed innovative cylindrical rolling bearings through our extensive knowledge, decades of experience in production and in the steel industry, cutting-edge analysis technology, and an optimized design figure. Furthermore, these bearings feature improved handling performance that suits the required functions of guide rolls.

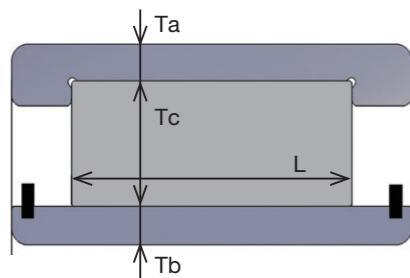
Cutaway View



Features

Long Life & High Reliability

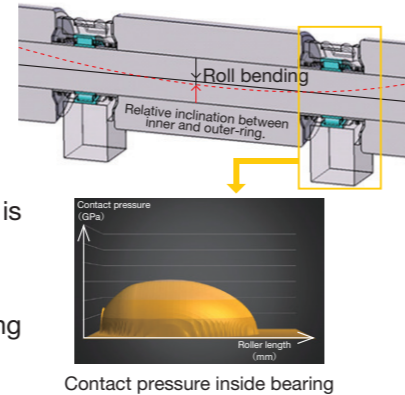
Extremely high capacity through optimized design.



Optimized parameters
 $\propto Ta, Tb, Tc, L \text{ \& } Z$ (Z: number of rollers)

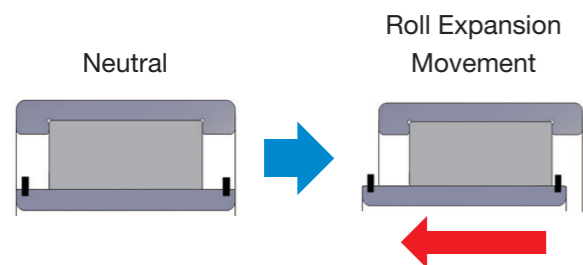
Self-Aligning Functionality

Load distribution is equal across the bearing, even during roll-bending & expansion.



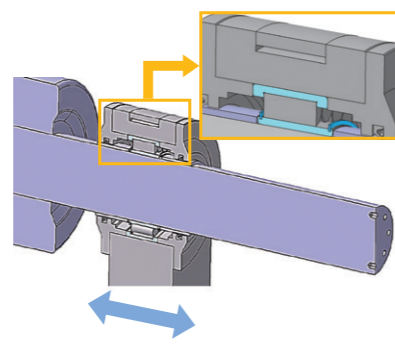
Smooth Relief Roll Expansion

Smooth relief between rollers and inner ring.



Easy Handling

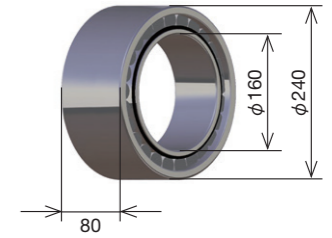
From assembly to housing, these bearing are easy to handle without any special tools. This improves work efficiency and safety.



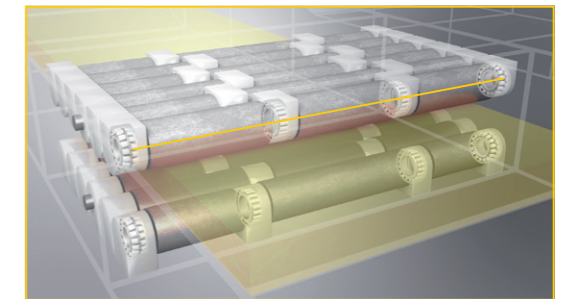
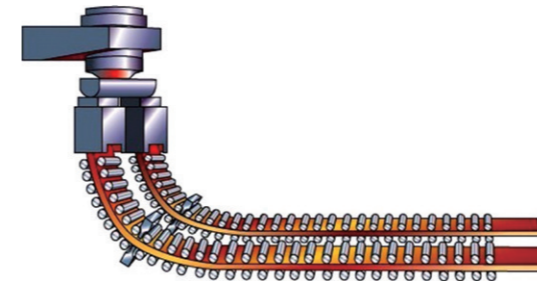
NSK installed one of these bearings for continuous casting machines at a customer site to perform a real-world test. They fulfilled all the specifications required and yielded good results for operation stability, earning high praise from the client.

Field Test

Bearing number: 160NUB40VC4
 Boundary dimensions: $\phi d160 \text{ mm} \times \phi D240 \text{ mm} \times B80 \text{ mm}$
 Basic load ratings $C_r: 765 \text{ (kN)}, C_{or}: 1,360 \text{ (kN)}$

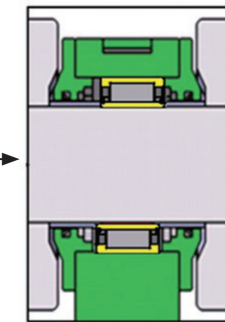
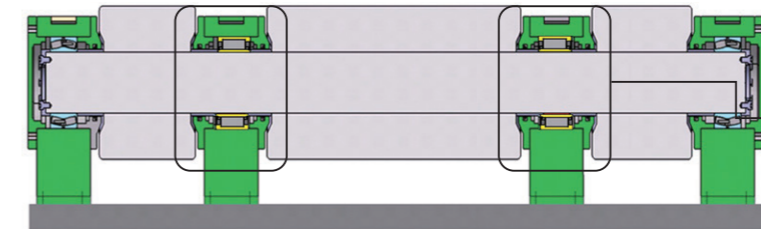


Continuous Casting Machine (for Heavy Plates)



Roll Segment Unit

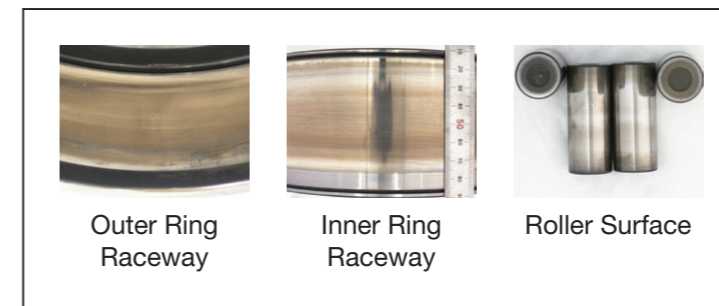
Roll Arrangement



Arrangement of Top & Bottom Roll

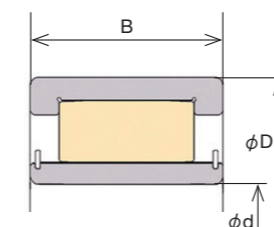
Axle Box Structure

Test Results



Test period: 9 months
 Production amount: Approx. 1.0M tons
 Appearance: No abnormalities detected
 (Possible for continuous use)

Bearing Number List



Dimensions (mm)			Bearing No.	Basic Load Ratings (kN)	
d	D	B		C _r	C _{or}
90	125	46	90NUB59V	185	380
100	150	50	100NUB40V	296	490
110	170	60	110NUB40V	425	690
120	180	60	120NUB40V	450	740
130	200	69	130NUB40V	570	950
140	210	69	140NUB40V	560	960
150	225	75	150NUB40V	665	1160
160	240	80	160NUB40V	765	1360

Worldwide Sales Offices

P: Phone ☆: Head Office

NSK LTD. HEADQUARTERS, TOKYO JAPAN		
INDUSTRIAL MACHINERY BUSINESS DIVISION-HEADQUARTERS	P: +81-3-3779-7227	
AUTOMOTIVE BUSINESS DIVISION-HEADQUARTERS	P: +81-3-3779-7189	
Africa		
South Africa:		
NSK SOUTH AFRICA (PTY) LTD.		
SANDTON	P: +27-011-458-3600	
Asia and Oceania		
Australia:		
NSK AUSTRALIA PTY. LTD.		
MELBOURNE ☆	P: +61-3-9765-4400	
SYDNEY	P: +61-2-9839-2300	
BRISBANE	P: +61-7-3347-2600	
PERTH	P: +61-8-9256-5000	
New Zealand:		
NSK NEW ZEALAND LTD.		
AUCKLAND	P: +64-9-276-4992	
China:		
NSK (SHANGHAI) TRADING CO., LTD.		
JIANGSU ☆	P: +86-512-5796-3000	
NSK (CHINA) INVESTMENT CO., LTD.		
JIANGSU ☆	P: +86-512-5796-3000	
BEIJING	P: +86-10-6590-8161	
TIAN JIN	P: +86-22-8319-5030	
CHANGCHUN	P: +86-431-8898-8682	
SHENYANG	P: +86-24-2550-5017	
DALIAN	P: +86-411-8800-8168	
NANJING	P: +86-25-8472-6671	
FUZHOU	P: +86-591-8380-1030	
WUHAN	P: +86-27-8556-9630	
QINGDAO	P: +86-532-5568-3877	
GUANGZHOU	P: +86-20-3817-7800	
CHANGSHA	P: +86-731-8571-3100	
LUOYANG	P: +86-379-6069-6188	
XI'AN	P: +86-29-8765-1896	
CHONGQING	P: +86-23-6806-5310	
CHENGDU	P: +86-28-8528-3680	
NSK CHINA SALES CO., LTD.		
JIANGSU ☆	P: +86-512-5796-3000	
NSK HONG KONG LTD.		
HONG KONG ☆	P: +852-2739-9933	
SHENZHEN	P: +86-755-25904886	
Taiwan:		
TAIWAN NSK PRECISION CO., LTD.		
TAIPEI ☆	P: +886-2-2772-3355	
TAICHUNG	P: +886-4-2708-3393	
TAINAN	P: +886-6-215-6058	
India:		
NSK BEARINGS INDIA PRIVATE LTD.		
CHENNAI ☆	P: +91-44-28479600	
GURGAON	P: +91-124-4838000	
MUMBAI	P: +91-22-28387787	
JAMSHEDPUR	P: +91-657-2421144	
Indonesia:		
PT. NSK INDONESIA		
JAKARTA	P: +62-21-252-3458	
Korea:		
NSK KOREA CO., LTD.		
SEOUL	P: +82-2-3287-0300	
Malaysia:		
NSK BEARINGS (MALAYSIA) SDN.BHD.		
SHAH ALAM ☆	P: +60-3-7803-8859	
PRAI	P: +60-4-3902275	
JOHOR BAHRU	P: +60-7-3546290	
IPOH	P: +60-5-2555000	
Philippines:		
NSK REPRESENTATIVE OFFICE		
MANILA	P: +63-2-893-9543	
Singapore:		
NSK INTERNATIONAL (SINGAPORE) PTE LTD.		
SINGAPORE	P: +65-6496-8000	
Thailand:		
NSK BEARINGS (THAILAND) CO., LTD.		
BANGKOK	P: +66-2320-2555	
Vietnam:		
NSK VIETNAM CO., LTD.		
HANOI	P: +84-24-3955-0159	
NSK REPRESENTATIVE OFFICE		
HO CHI MINH CITY	P: +84-28-3822-7907	
Europe		
United Kingdom:		
NSK EUROPE LTD. (EUROPEAN HEADQUARTERS)		
MAIDENHEAD	P: +44-1628-509-800	
NSK UK LTD.		
NEWARK	P: +44-1636-605-123	
France:		
NSK FRANCE S.A.S.		
PARIS	P: +33-1-30-57-39-39	
Germany:		
NSK DEUTSCHLAND GMBH		
DUSSELDORF ☆	P: +49-2102-4810	
STUTTGART	P: +49-711-79082-0	
WOLFSBURG	P: +49-5361-27647-10	
Italy:		
NSK ITALIA S.P.A.		
MILANO	P: +39-299-5191	
Netherlands:		
NSK EUROPEAN DISTRIBUTION CENTRE B.V.		
TILBURG	P: +31-13-4647647	
Poland:		
NSK POLSKA SP.Z O.O.		
WARSAW	P: +48-22-645-1525	
Spain:		
NSK SPAIN S.A.		
BARCELONA	P: +34-93-289-2763	
Turkey:		
NSK RULMANLARI ORTA DOGU TIC. LTD. STI.		
ISTANBUL	P: +90-216-5000-675	
United Arab Emirates:		
NSK BEARINGS GULF TRADING CO.		
DUBAI	P: +971-(0)4-804-8200	
North and South America		
United States of America:		
NSK AMERICAS, INC. (AMERICAN HEADQUARTERS)		
ANN ARBOR	P: +1-734-913-7500	
NSK CORPORATION		
ANN ARBOR	P: +1-734-913-7500	
NSK PRECISION AMERICA, INC.		
FRANKLIN ☆	P: +1-317-738-5000	
SAN JOSE	P: +1-408-944-9400	
NSK LATIN AMERICA, INC.		
MIAMI	P: +1-305-477-0605	
Canada:		
NSK CANADA INC.		
TORONTO ☆	P: +1-888-603-7667	
MONTREAL	P: +1-514-633-1220	
Argentina:		
NSK ARGENTINA SRL		
BUENOS AIRES	P: +54-11-4704-5100	
Brazil:		
NSK BRASIL LTDA.		
SUZANO ☆	P: +55-11-4744-2500	
JOINVILLE	P: +55-47-3422-2239	
Peru:		
NSK PERU S.A.C.		
LIMA	P: +51-493-4385	
Mexico:		
NSK RODAMIENTOS MEXICANA, S.A. DE C.V.		
SILAO, GUANAJUATO	P: +52-472-500-9500	

< As of July 2022 >

For the latest information, please refer to the NSK website.

www.nsk.com

Every care has been taken to ensure the accuracy of data in this publication, but NSK Ltd. accepts no liability for any loss or damage incurred from errors or omissions. As we pursue continuous improvement, all content (text, images, product appearances, specifications, etc.) contained in this publication is subject to change without notice. Unauthorized copying and/or use of the contents of this publication is strictly prohibited. Please investigate and follow the latest product export laws, regulations, and permit procedures when exporting to other countries.

For more information about NSK products, please contact: _____

